



HELLROARING TECHNOLOGIES, INC.

P.O. Box 1521
POLSON, MT 59860
406 883-3801 [HTTP://WWW.HELLROARING.COM](http://www.hellroaring.com)
SUPPORT@HELLROARING.COM

REV D, RELEASED 10/10/2003, QUALITY MANAGER

BCM-240CC-24VRG

The BCM-240CC-24VRG is designed for charging and isolation of a lead acid battery up to about 5 AH (up to 8 amp charge rate). Also, it is designed to provide power to a light load (up to 2 amps) from two battery sources while keeping the sources isolated from each other. In addition, it is designed to withstand an intermittent peak load demand of up to 40 amps for up to 2 seconds max.

The charging function utilizes sensing on the "A" terminal. When the voltage on "A" goes above +26.8 Vdc, the three terminals A, B, and C combine with low resistance to provide a charging path for the backup battery on terminal "C" as well as to continue supplying power to the load at terminal "B". When the voltage on "A" goes to below 26.4 Vdc, the BCM returns to the isolation mode.

The unit can be converted for 12V systems by placing a 36.5k ohm resistor between the adjust terminal and the "A" terminal.

The Red and Green wires supply about 5 mA to a Red and Green LED Anode (+ output) with an external 2.2k Ohm resistor in series with the LED. With the unit converted for 12V systems, no external resistor is necessary.

The threshold values are set as follows (for terminal A relative to Ground) to within +/- 0.2 volts:

- >26.8 Vdc Red Off
- <26.4 Vdc Red On
- >24.4 Vdc Green On
- <24.0 Vdc Green Off

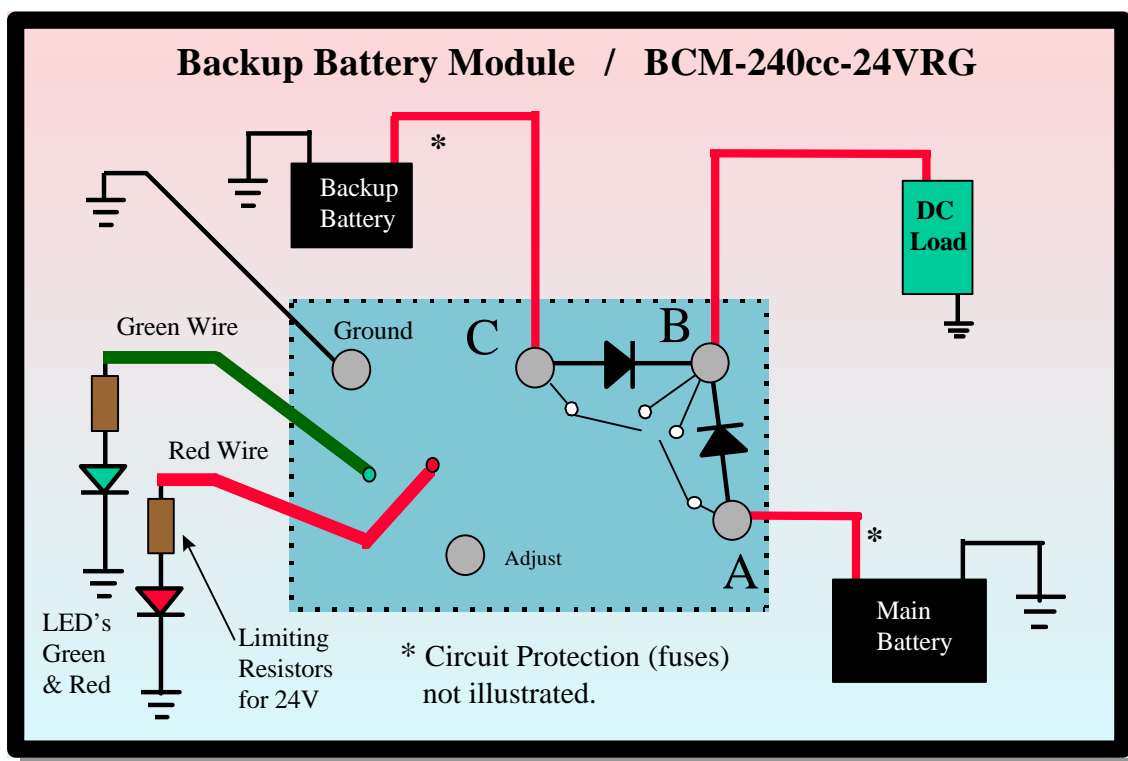
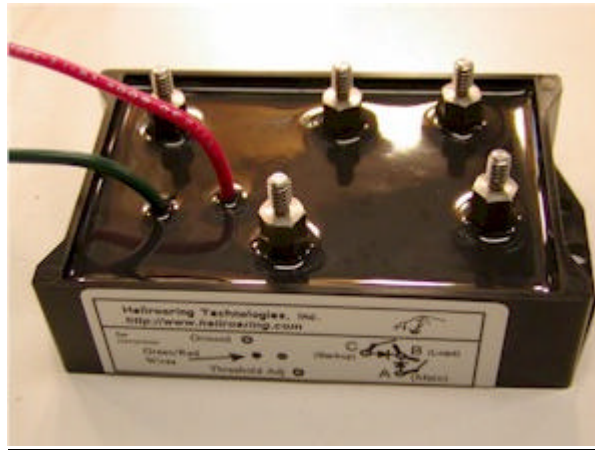


Figure 1

Hellroaring BCM-240CC-24V Instructions

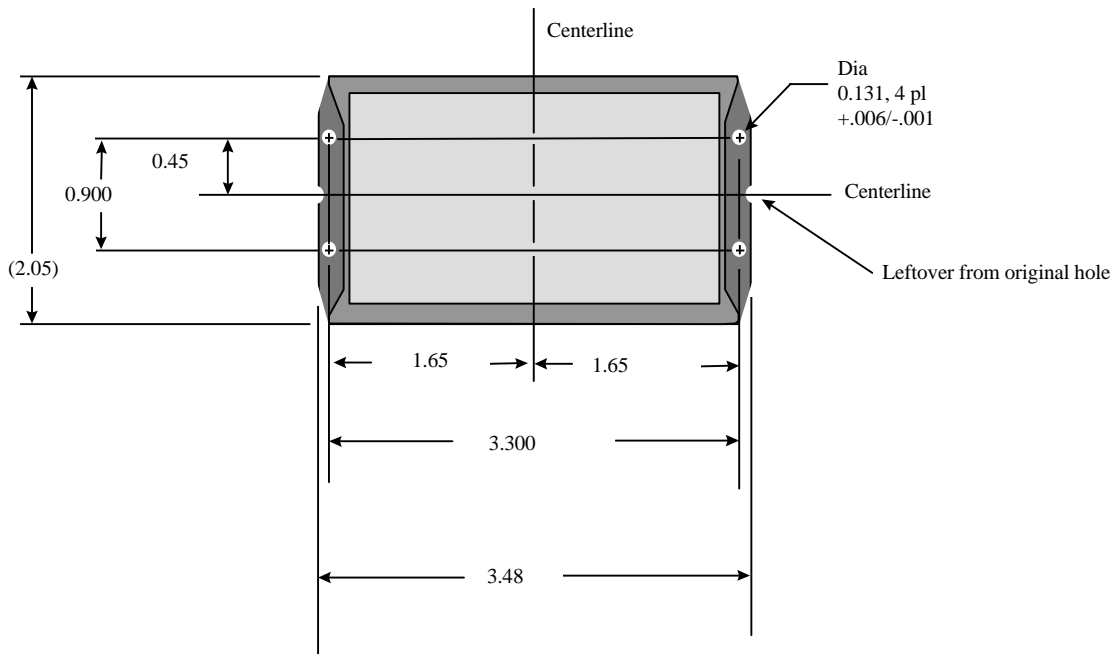
Dimensions: 3.48" long, by 2.05" wide, by 1.3" to the top of the terminal studs.
Weight: 5 to 6 Oz., typical.



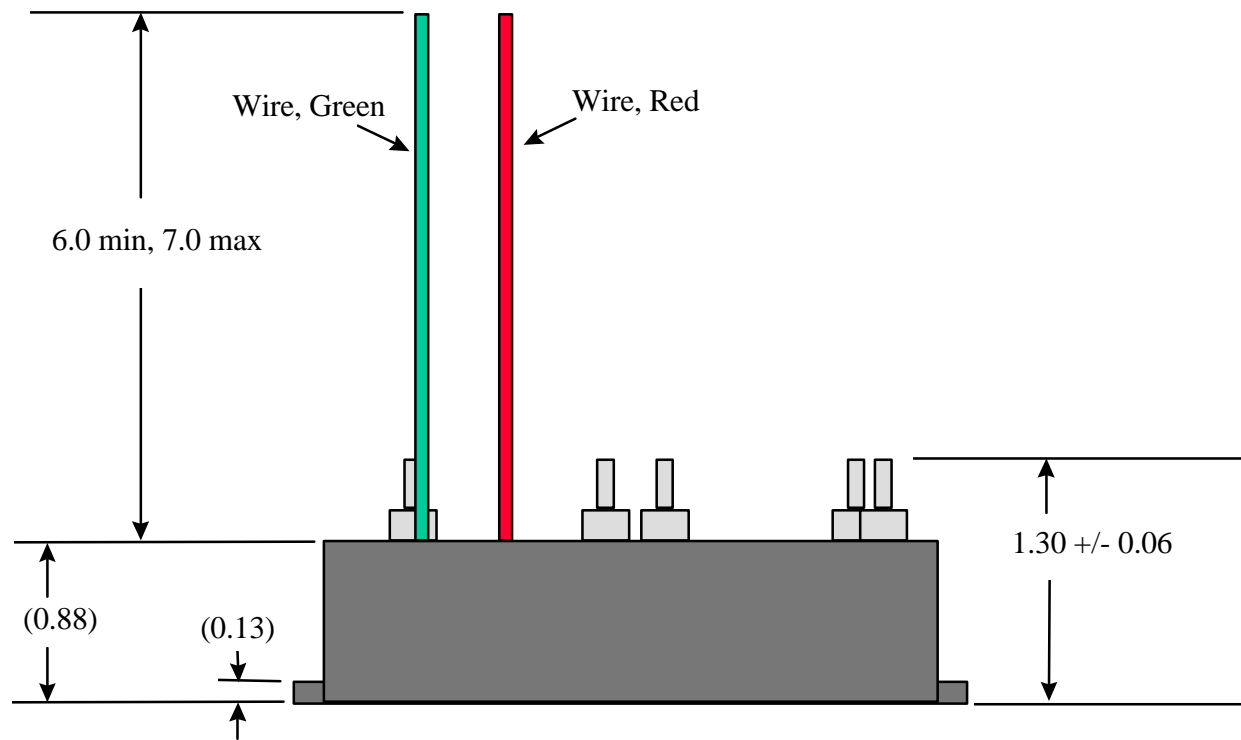
Hellroaring BCM-240CC-24V Instructions

Hellroaring Technologies, inc.
10/10/2003

BCM Package.



- 1) All dimensions are in inches.
- 2) Unless specified otherwise, Tolerances are: x.xx = +/- 0.020, x.xxx = +/- 0.010



- 1) All dimensions are in inches.
- 2) Unless specified otherwise, Tolerances are: x.xx = +/- 0.020, x.xxx = +/- 0.010

Hellroaring BCM-240CC-24V Instructions

Specifications:

BCM-240CC-24VRG:		Unless specified otherwise, ambient temp=25C ; max current from terminals "B" to parallel "A" & "C".
Max voltage	55 Volts	intermittent
Absolute Max ON Current	2 Amps	100% duty cycle 85C ambient to 30 Vdc Load only, not charging.
	8 Amps	100% duty cycle to 85C ambient, to 30 Vdc Combined and charging.
	40 Amps	2 % duty cycle 85C ambient to 30 Vdc and Load only. Max pulse width 2 seconds.
Max On Resistance (@ 1 amp)	0.025	Ohms terminal "A" to "C".

Note: Specifications are subject to change without notice.

Hellroaring BCM-240CC-24V Instructions

Standard Terms and Conditions of Sale

The sale of Hellroaring Technologies, inc. products shall be governed by the laws of the state of Montana. All sales shall transfer title within the state of Montana via common carrier. Hellroaring Technologies, inc. will not collect sales taxes for any other state. Should the unlikely event, a cause of action arises, buyer agrees that such action shall be held and governed in the state of Montana. The buyer recognizes that there exists inherent risks associated with batteries and installation & operation of battery devices. It is understood that any technical information published by Hellroaring Technologies, inc. including any installation instructions is of a general nature only and it is the user's responsibility to determine the proper application, installation, and operation of products. The buyer assumes all risk and agrees to indemnify Hellroaring Technologies, inc. against any and all causes for injury or damage to third parties that arises from use of such product.

Return Policy

Should any single unit product sold by Hellroaring Technologies, inc. not meet or exceed your expectations, you may, within 30 days of our shipment to you, return such product for a full refund (credit on credit card orders) less a 15% restock charge, provided that:

- a) You obtain an RMA number and provide your shipping address by calling customer service at 406 883-3801 or send an RMA request via e-mail (include the model #, serial number, and your phone number), and
- b) The product, including all accessories, is returned in original and re-saleable condition, and
- c) Units are Shipped (prepaid and insured for damage in transit) in the original or equivalent packaging, and
- d) (optional) You include a simple note as to the reason for dissatisfaction. (This can help us improve our products)

For quantity orders, sales are final and our standard limited warranty applies.

Limited Warranty

This Limited Warranty is extended to the original purchaser. Hellroaring Technologies, inc. warrants that our SSR products will be free from defects in materials and workmanship upon delivery. All claims for defects must be made within 30 days of delivery. The sole and exclusive remedy for failure of the product shall be for us, at our option, to repair or replace the product, to whatever extent we deem necessary to restore the product to proper operating condition. We may make replacements with new or functionally equivalent products of equal value. Should Hellroaring Technologies, inc. be unable to repair or replace the product within a reasonable time, we reserve the right, at our option, to issue a refund or credit of the purchase price in lieu of repair or replacement. We reserve the right to assess a \$15 fee for units returned and proven not to be defective. To obtain warranty service you must:

- 1) Call Customer Service at 406-883-3801 for a Return Material Authorization (RMA) number and shipping address. Or send an RMA request via e-mail (include the model #, serial number, and your phone number and your return shipping address)
- 2) Return the product in the original or equivalent packaging (Shipping prepaid and insured for damage in transit), together with the RMA number AND a description of the problem. Include your return shipping address and your phone number.

Do not attempt to disassemble, or otherwise tamper with any of the 4 nuts on the bottom of each unit. Doing so will void this limited warranty. For quantity orders, extended warranty for switching applications may be available on an application specific basis at slight extra cost.

Exclusions

This Limited Warranty is made expressly in lieu of and to the exclusion of any and all warranties, express or implied, oral or written, including, without limitation, any and all implied warranties of merchantability or fitness for a particular purpose, and all such other warranties are expressly disclaimed. This Limited Warranty shall not be applicable to failures of the product that result from accident, abuse, misapplication or alteration, improper installation or maintenance, unauthorized repair attempts, operation or attempts to operate it beyond its mechanical, chemical, thermal, or electrical capacity intentionally or otherwise, and we assume no liability as a consequence of such events under the terms of this warranty. Hellroaring Technologies, inc. shall not be liable for any special, indirect, incidental, consequential, exemplary, or punitive damages for claims in any claim, action, suit or proceeding arising out of the purchase, use or performance of the product, and whether or not it has been advised of the possibility of such damages. The foregoing allocation of risk is reflected in the price of the product. Nor shall there be any liability thereunder for claims of labor, loss, profit, goodwill, repairs or other expenses incidental to the repair or replacement of such product.

Hellroaring Technologies, inc.

Hellroaring BCM-240CC-24V Instructions

This page intentionally left blank